

Ceiling mounted occupancy detectors - 1-channel

PD2-M-1C



white mat, similar to
RAL9010 , Part No. 92550

white mat, similar to
RAL9010 , Part No. 92555

white mat, similar to
RAL9010 , Part No. 92565

Product Information

- Occupancy detector with one potential-free dry contact
- Version as master device
- One channel for light switching
- Detection area can be extended with slave devices
- Manual switching via push-button possible
- Additional functions can be set up using the optional remote control.
- Factory settings 10 min and 500 lux
- **Typical applications:**
Offices, conference rooms, schools, nursery schools, hospitals

Technical Data

Voltage:	110 - 240 V AC 50 / 60 Hz
Dimensions:	SM= Ø 98 x 47 mm FM= Ø 98 x 65 mm FC= Ø 80 x 85 mm
Power consumption:	approx. 0.4 W
Detection area:	horizontal 360° (Ceiling mounting)
Range:	max. Ø 10 m across max. Ø 6 m towards max. Ø 4 m seated

Monitored area (tangential movement):	78 m ² / 2.5 m mounting height
Mounting height min./max./recommended:	2 m / 5 m / 2.5 m
Degree / class of protection:	SM= IP20 / Class II FM= IP20 / Class II FC= IP20 / Class II
Ambient temperature:	-25 °C to +50 °C
Housing:	polycarbonate, UV-resistant
Channel 1 (lighting control, potential-free (dry))	
Switching power:	2300 W, cos φ = 1 1150 VA, cos φ = 0.5 300 W LED max. inrush current I _p (20 ms) = 165 A max. inrush current I _p (200 μs) = 800 A
Type of contact:	1x μ-contact, dry NO contact with tungsten pre-make contact
Follow-up time:	15 sec - 30 min, Pulse
Switch-on threshold:	10 - 2000 Lux Mixed light measuring

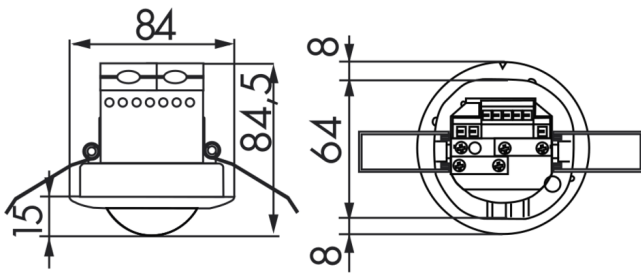
Description

Description	Colour	Part number	EAN number
PD2-M-1C-SM	white mat, similar to RAL9010	92550	4007529925506
PD2-M-1C-FM	white mat, similar to RAL9010	92555	4007529925551
PD2-M-1C-FC	white mat, similar to RAL9010	92565	4007529925650

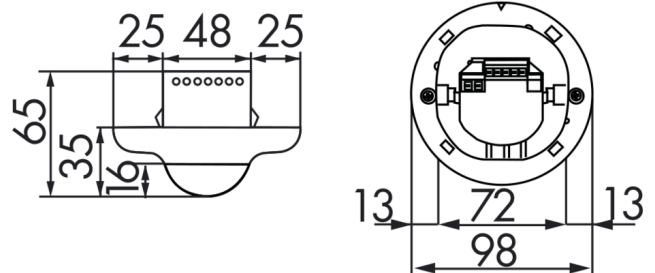
Accessory

Description	Colour	Part number	EAN number
BLE-IR-Adapter	black	93067	4007529930678
IR-Adapter for Smartphones	black	92726	4007529927265
IR-PD-1C	-	92520	4007529925209
IR-PD-1C-E	-	92077	4007529920778
IR-PD-Mini	-	92159	4007529921591
Wire basket BSK (Ø 200 x 90 mm)	white	92199	4007529921997
RC-Arc extinction kit	white	10880	4007529108800

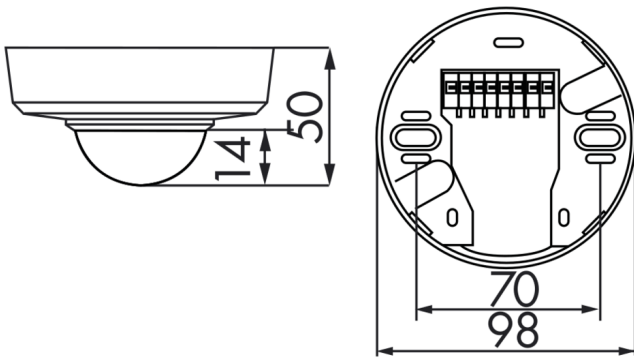
Description	Colour	Part number	EAN number
Mini-RC-Arc extinction kit	black	10882	4007529108824
SM socket IP54 for PD2- / PD4-SM	white	92161	4007529921614



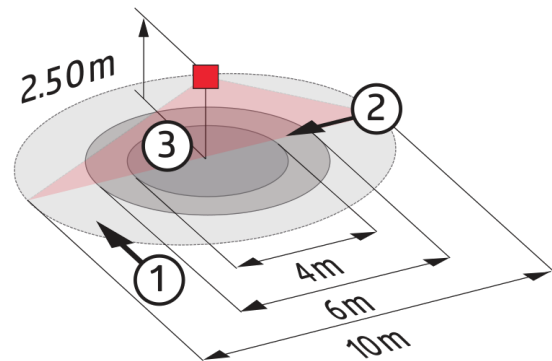
Dimensions 92565



Dimensions 92555

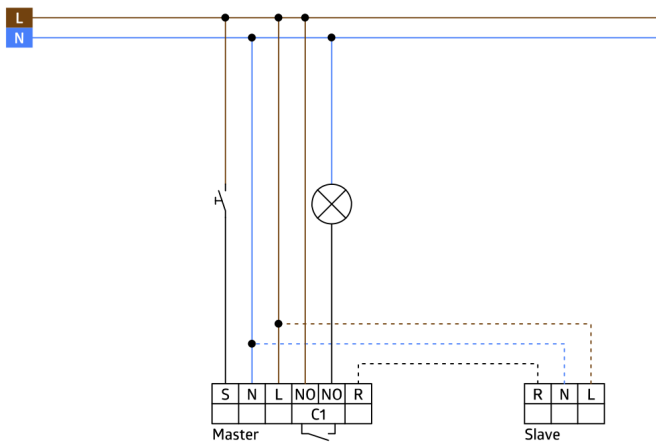


Dimensions 92550



Range diagram

- 1: Walking across
- 2: Walking towards
- 3: Seated activity



Wiring diagram

© 2021 B.E.G. Brück Electronic GmbH